

Hi-Fi Products Service Bulletin

CSA-13

Sony Service Company - Technical Services
A Division of Sony Electronics Inc.
Sony Drive, Park Ridge, New Jersey 07656

Model: DTC-57ES/59ES/60ES/670/690/750

No. 414

Subject: Correction of Exploded View

Date: September 28, 1994

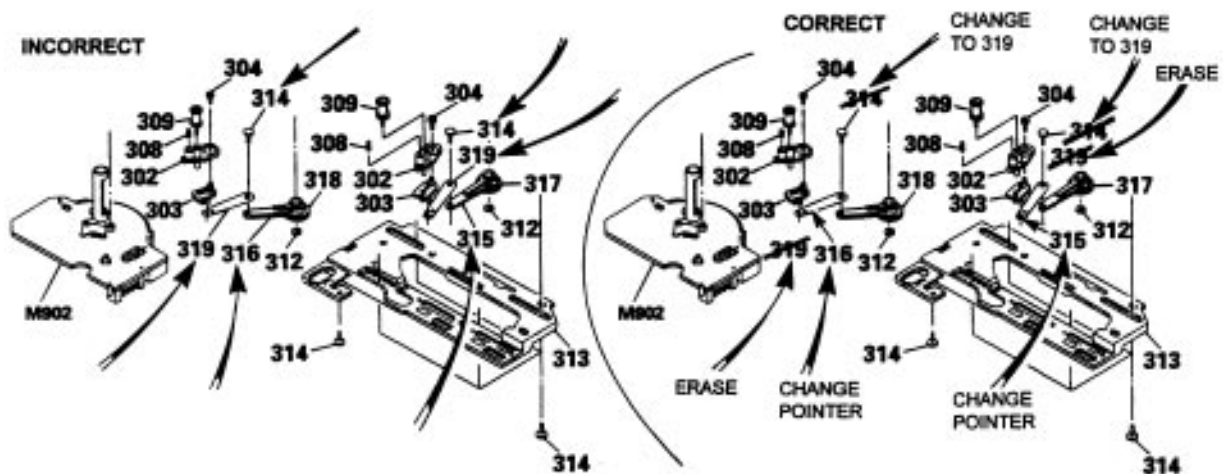
Symptom:

(**)

The references for the T/S load levers and T/S load gears are shown incorrectly in the exploded view.

Solution: Correct as follows.

| REF | | DESCRIPTION | PART NUMBER |
|-----------|---------|--------------------------|--------------|
| INCORRECT | CORRECT | | |
| 314 | 319 | SHAFT (LOAD LEVER JOINT) | 3-368-415-01 |
| 319 | 315 | T LOAD LEVER | 3-368-427-01 |
| 319 | 316 | S LOAD LEVER | 3-368-427-01 |
| 315 | 317 | T LOAD GEAR | 3-368-444-01 |
| 316 | 318 | S LOAD GEAR | 3-368-443-01 |



Filename: HFP0414.SB
Directory: J:\SBDOC\SEP94
Template: C:\WINWORD\S_BULL.DOT
Title: Correction of exploded view
Subject:
Author: Hoyt Wing Lee
Keywords:
Comments:
Creation Date: 09/28/94 11:41 AM
Revision Number: 2
Last Saved On: 09/28/94 11:41 AM
Last Saved By: Hoyt Wing Lee
Total Editing Time: 0 Minutes
Last Printed On: 04/01/96 10:56 AM
As of Last Complete Printing
Number of Pages: 2
Number of Words: 137 (approx.)
Number of Characters: 781 (approx.)